

Oxygen Gas Sensor

Product Data Sheet
Model #SS2118

2023. Ver 1.1

Applications

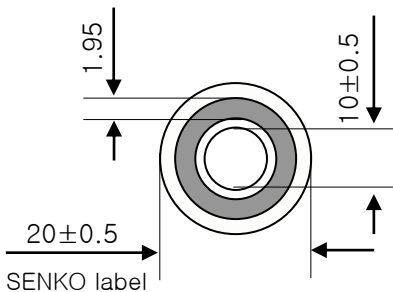
- Ideal for portable instrument
- Industry safety (ambient air monitoring applications)
- Combustion efficiency analysis
- Etc.



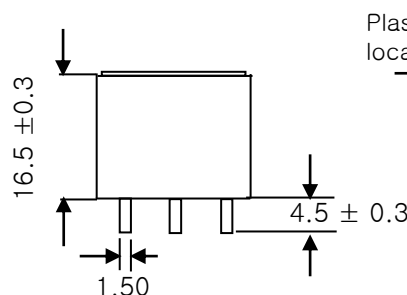
Specifications

Performance Characteristics	
Sensor Type	Galvanic cell (lead-oxygen battery)
Measurement Range	0~25% Oxygen
Maximum Overload	30% Oxygen
Output Signal	90±20µA
T90 Response Time	<15 sec for 90% response
Zero current (offset)	<0.6 % vol O ₂
Linearity	Linear
Recommended Load Resistor	100 ohms
Environmental	
Temperature Range Continuous	-20°C to +50°C
Pressure Range	800 to 1200 mbar
Operating Humidity Range	5% to 95% Rh
Life Time	
Long Term Output Drift	≤5% per annum
Recommended Storage Temp	0°C to 20°C
Expected Operating Life	≥ 24 months in air
Standard Warranty	24 months from date of dispatch
Intrinsic Safety Data	
Maximum current in normal operation (pure O ₂)	0.01A
Maximum o/c Voltage (10 to 100% O ₂)	0.9V
Maximum s/c Current (10 to 100% O ₂)	0.5A

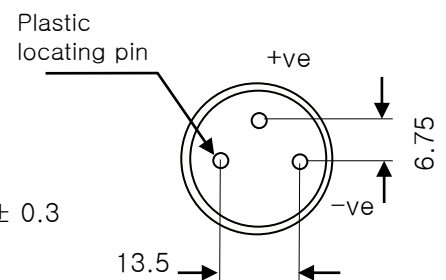
Dimension



TOP view



SIDE view

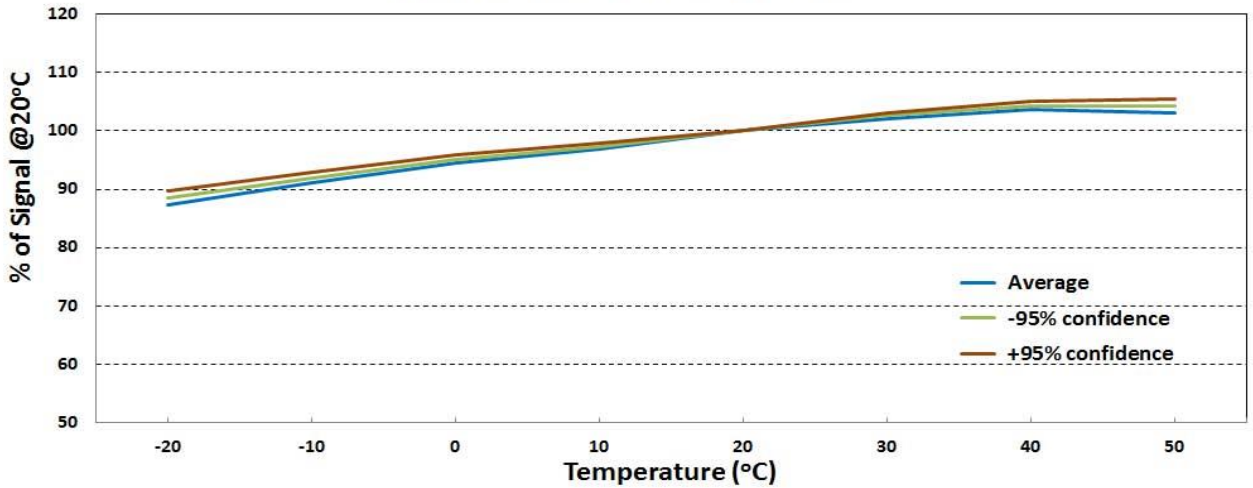


BOTTOM view

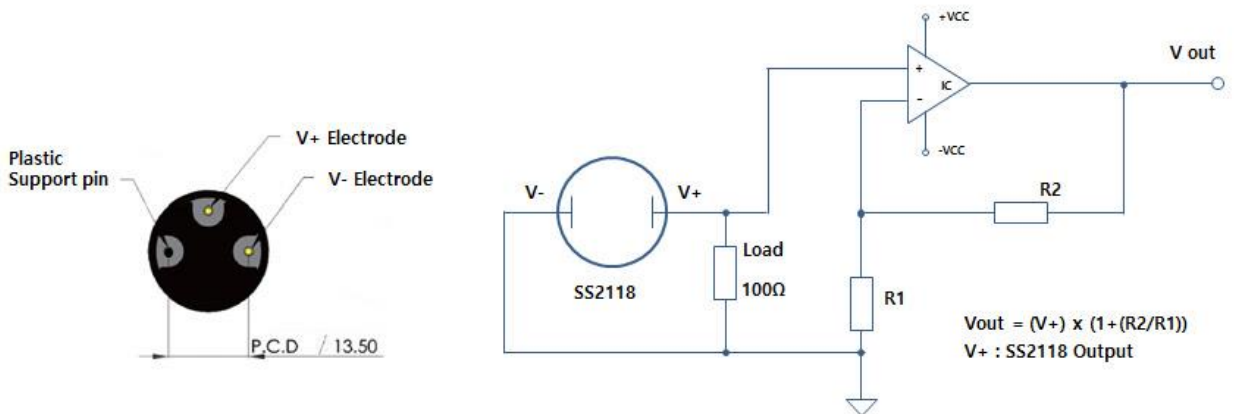
Due to ongoing research and product improvement, specifications are subject to change without notice

Temperature effects

Output Temperature Coefficient Data



Standard operating circuit



Due to ongoing research and product improvement, specifications are subject to change without notice