

### Applications & Features

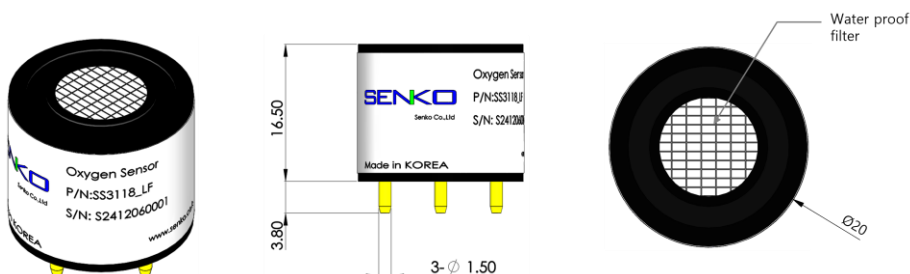
- Long-life
- Exceptional stability
- Combustion efficiency analysis
- Lead-free oxygen sensor designed for all safety applications



### Specifications

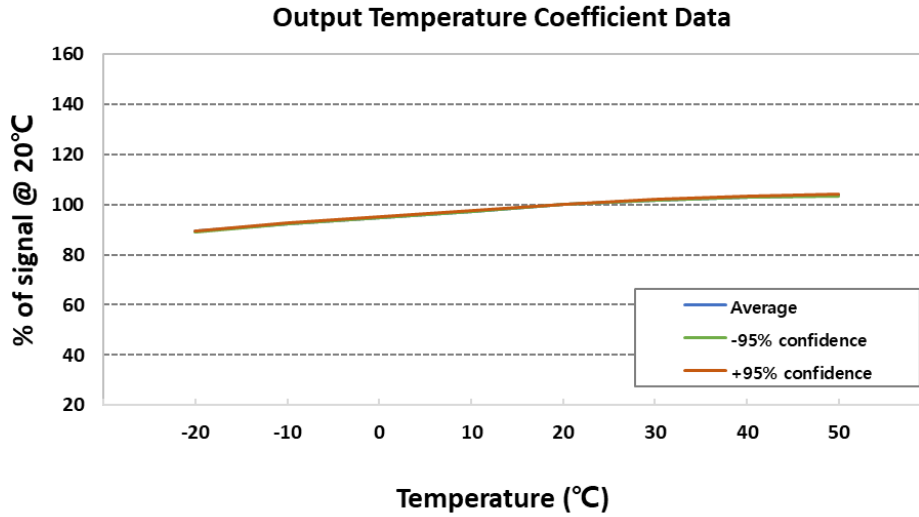
Performance Characteristics	
Sensor Type	Amperometric sensor (Lead-free oxygen sensor)
Measurement Range	0~25% Oxygen
Maximum Overload	30% Oxygen
Output Signal	130±30 μA in air
Response Time (T90)	< 15 sec for 90% response
Zero Current (offset)	< 0.5% vol O <sub>2</sub>
Linearity	Linear
Recommended Load Resistor	10 ohms
Bias Voltage	-600 mV
Environmental	
Temperature Range Continuous	-20°C to +50°C
Pressure Range	800 to 1200 mbar
Operating Humidity Range	15% to 90% RH
Lifetime	
Long Term Output Drift	< 5% over operating life
Recommended Storage Temp	0°C to 20°C
Expected Operating Life	> 60 months in air
Standard Warranty	36 months from date of dispatch
Intrinsic Safety Data	
Maximum Current in Normal Operation (pure O <sub>2</sub> )	0.01 A
Maximum o/c Voltage (10 to 100% O <sub>2</sub> )	0.9 V
Maximum s/c Current (10 to 100% O <sub>2</sub> )	0.5 A

### Dimension

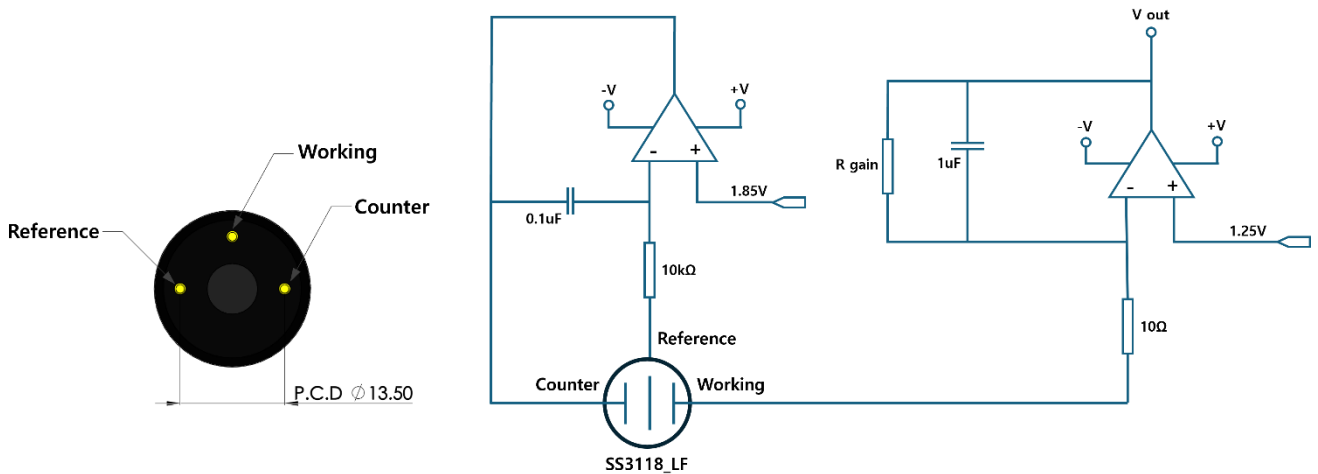


Due to ongoing research and product improvement, specifications are subject to change without notice.

## Temperature Effects



## Standard Operating Circuit



Due to ongoing research and product improvement, specifications are subject to change without notice.