

Hydrogen Sulfide Gas Sensor

Product Data Sheet
Model #SS3198

2023. Ver 1.1

Applications

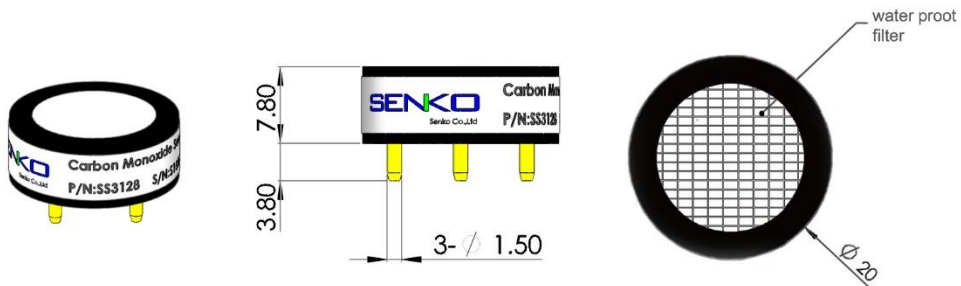
- Ideal for portable and fixed instrument
- Industry safety (Petrochemical, Refineries)
- Sewers, Wastewater treatment
- Mining
- Etc.



Specifications

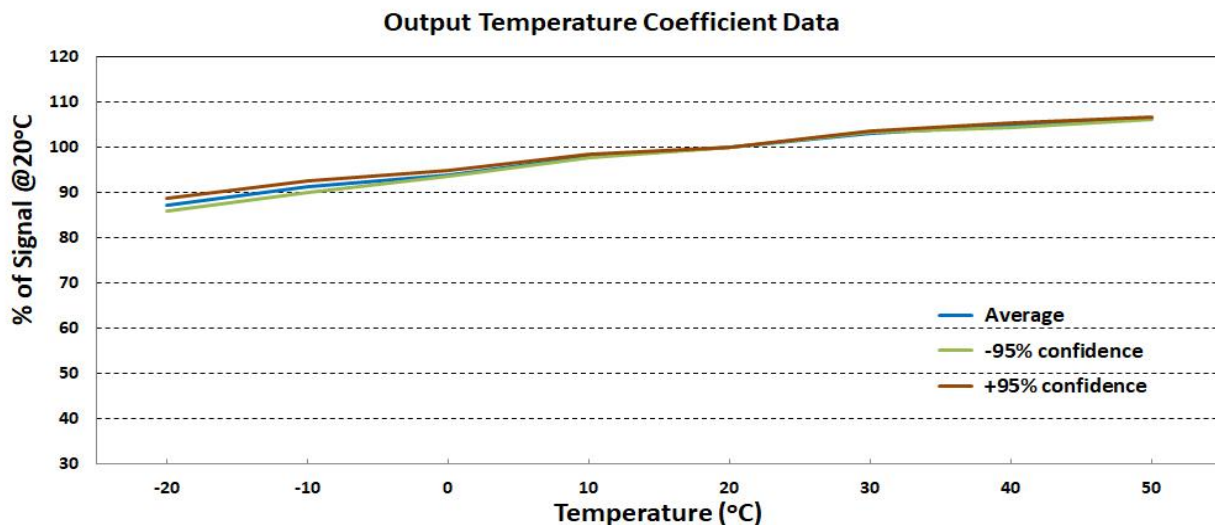
Performance Characteristics	
Output Signal	700±200 nA / ppm
Typical Baseline Range (pure air)	±2 ppm H ₂ S equivalent
T90 Response Time	<20 seconds
Measurement Range	0-100 ppm
Maximum Overload	500 ppm
Linearity	Linear
Repeatability	<±2 ppm H ₂ S equivalent
Recommended Load Resistor	10 ohms
Resolution (Electronics Dependent)	<0.1 ppm typical
Environmental	
Temperature Range Continuous	-20°C to +50°C
Pressure Range	800 to 1200 mbar
Operating Humidity Range	15% to 90% Rh
Life Time	
Long Term Output Drift	<5% per annum
Recommended Storage Temp	0°C to 20°C
Expected Operating Life	>24 months in air
Standard Warranty	24 months from date of dispatch
Intrinsic Safety Data	
Maximum at 1,000ppm	40mA
Maximum o/c Voltage	<1.0V
Maximum s/c Current	<0.1A

Dimension



Due to ongoing research and product improvement, specifications are subject to change without notice

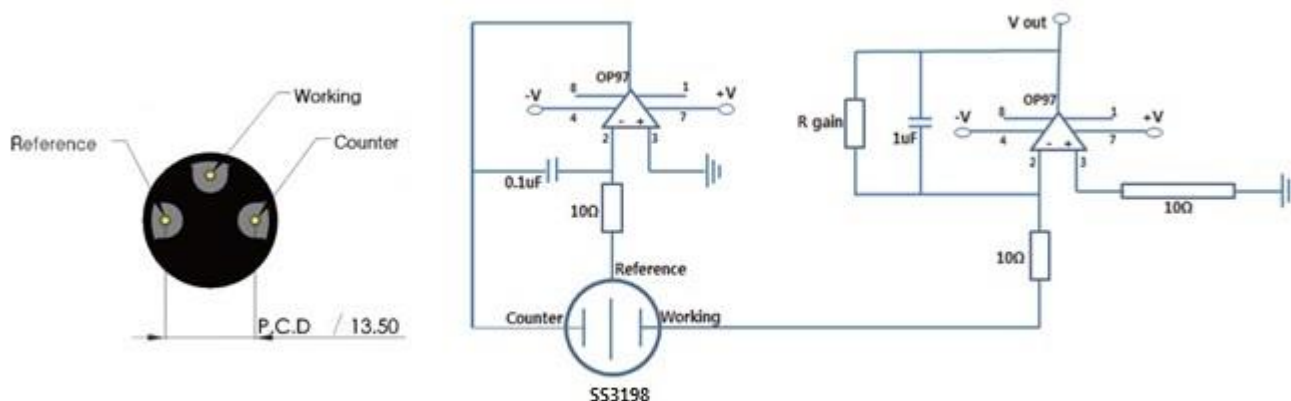
Temperature effects



Cross sensitivity

Gas	Concentration [ppm]	Reading [ppm]
Carbon Monoxide	300	<3
Hydrogen	10,000	<5
Sulfur Dioxide	5	0
Nitric Oxide	35	<0.4
Nitrogen Dioxide	5	<-0.5

Standard operating circuit



Due to ongoing research and product improvement, specifications are subject to change without notice